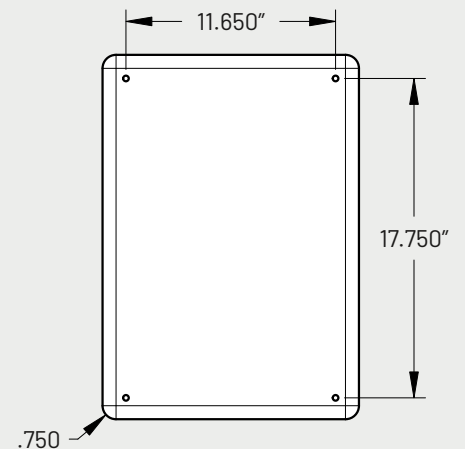
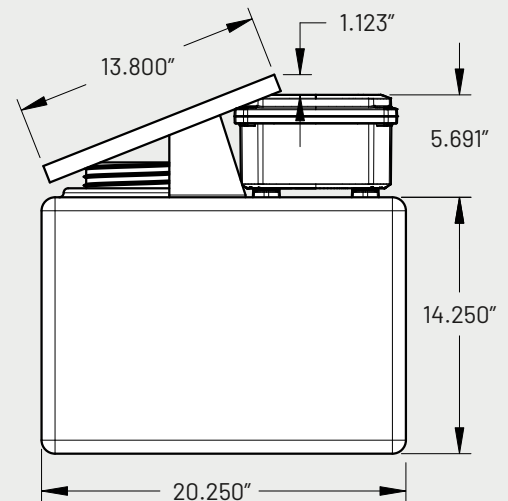
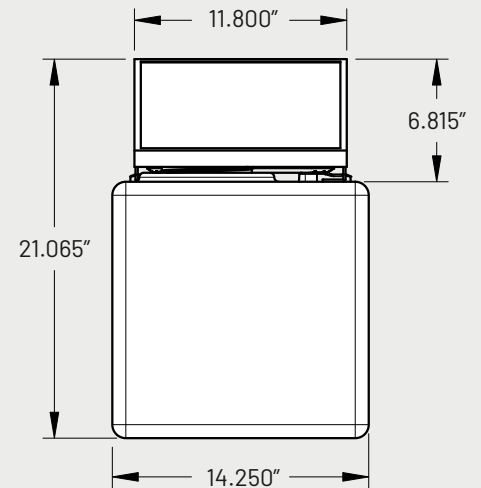




## SPECIFICATIONS

Components	16 gal. reservoir, diaphragm pump, control board, solar-powered UPS, liquid level sensor, mounting bracket, M12 5pin receptacle
Reservoir	16 Gallons (60.5 Liters)
Pump	60 PSI Max, 1 GPM Flow Rate 12V DC Valves: Viton Diaphragm: Santoprene
Control Board	Programmable pump control Modbus RS-485 master or slave Temperature and humidity sensor Wash sense (pump current measurement) Liquid level sensor (1/4" tank left)
Solar-powered UPS	<p><b>Solar Module</b> Max power (Pm): 10W Short circuit current (Isc): 0.64 A Open circuit voltage (Voc): 21.8 V Nominal voltage: 12 V</p> <p><b>Charge Controller</b> Morningstar SG-4 SunGuard Regulation voltage: 14.1 V Rated Input: 4.5 A Max solar voltage: 30 V</p> <p><b>Battery</b> Type: Sealed lead acid Nominal Voltage: 12 V Nominal Capacity: 2.3 Ah</p>
Dimensions	20.25" × 21.1" × 14.25"
Weight	Dry: 25 lbs Wet: 150.2 lbs
Electronic Temp. Range	-20°C to +75°C
Warranty	5 years / Unlimited*



**WASH EXTENSION v4**  
AUTOMATIC SOLAR UPS PUMPING SYSTEM

FRACSUN.COM

info@fracsun.com

(805) 242-3722