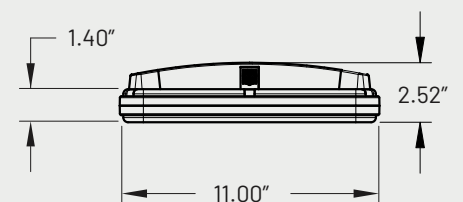
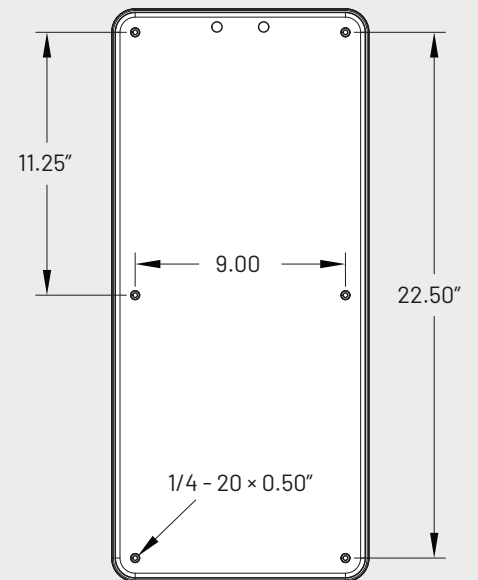
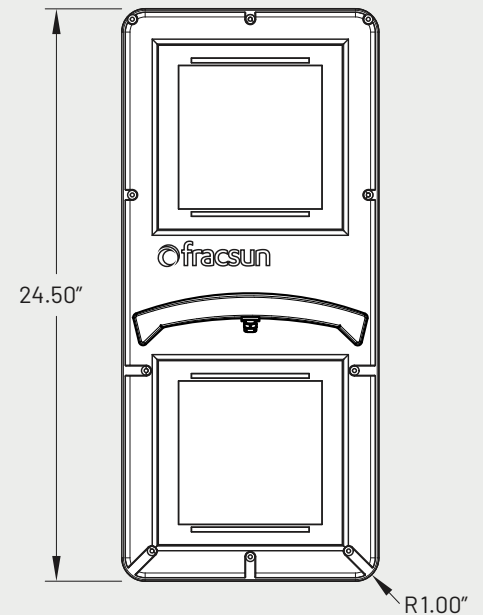




## SPECIFICATIONS

Soiling Measurements	<ul style="list-style-type: none"><li>• Daily soiling loss (% of daily insolation loss)</li><li>• Soiling rate (moving average, % loss/day)</li><li>• Soiling ratio (IEC standard 61724-1)</li><li>• Transmission loss (% , instantaneous)</li></ul>
Power and Battery	Solar powered, 1300 mAH extended temperature Lithium-Titanate (LTO) chemistry
Data Connection	Cellular 3G (Global) or LTE Cat M1 (Nor-Am), Modbus RTU RS-485
Data Retrieval	Fracsun Web Portal, interactive charts, CSV export, RESTful API integration, Modbus
Reference Cell	Polycrystalline cell, solar glass with standard ARC coating, white backsheet, EVA encapsulant
Self-Calibration	Easy 1x / year, on-site, OTA or local Modbus. No off-site lab calibration required
Mechanical Load Rating	+/- 2400 Pa for wind +5400 Pa for snow loading
Enclosure IP Rating	IP67
Cleaning System	120° brass nozzle, 60psi max, 16 gal reservoir with pump available (Wash Extension accessory)
Mounting Holes	(6) 1/4"-20 brass inserts
Dimensions	24.5" × 11" × 2.52"
Weight	7.5 lbs
Electronic Temp. Range	-20°C to +75°C
Warranty	5 Years Unlimited*
Accessories	<ul style="list-style-type: none"><li>• Wash Extension w/ Tank Level and Wash Sense</li><li>• Purlin Bracket Kit</li><li>• HSAT Bracket Kit</li></ul>



# ARES CS5

PHOTOVOLTAIC SOILING LOSS SENSOR

FRACSUN.COM

info@fracsun.com

(805) 242-3722